



AVAILABLE FROM

THE
KITCHEN
studio

MIDRAND ■ RANDBURG ■ DURBAN ■ UMHLANGA ■ PINETOWN ■ BALLITO
MARGATE ■ CAPETOWN ■ GHANA

KRABY DROP DOWN with Kimana Hinges (pg 3)

R 800 per door
incl VAT

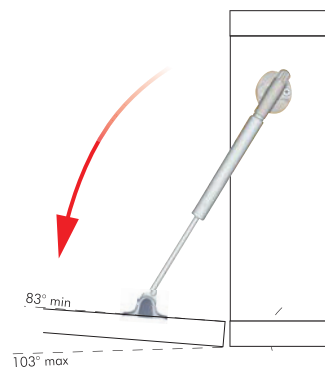
- ▶ New design Opening System. Highest quality: each article individually checked and marked.
- ▶ Available in 3 different lengths 164, 244, 355 mm.
- ▶ "Zero" N strength, to suit any door dimension and weight.
- ▶ Smooth and elegant movement to gently open doors downwards.
- ▶ Open angle adjustment carried out by hand through the rotary knob, for nearby doors alignment.
- ▶ Adjustment of the piston base plate within the "U" slot of the side bracket to change door opening only.
- ▶ Quick and easy installation, no need to tension the strength.
- ▶ Directly installed on solid or wider aluminium frame doors and wide range of special adapters to suit small aluminium door profiles.
- ▶ All the parts (stay excluded) are in zinc alloy nickel plated and plastic.
- ▶ In accordance with Italian Regulation UNI 8607/05 Level 5.



UNIT SIZES	DOOR SIZES
600w x 600h	596w x 596h X 18
1200w x 600h	1196w x 596h X 18



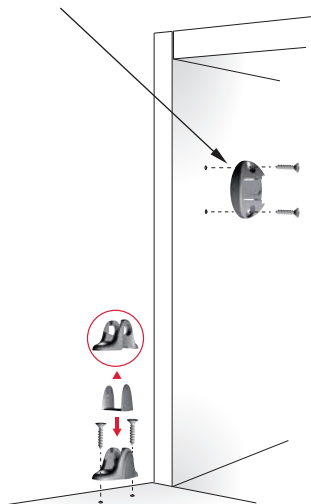
DROP DOWN OPENING



BRACKETS INSTALLATION

VERY IMPORTANT

The side bracket has to be placed with the slot in horizontal position and the open end facing the wall.

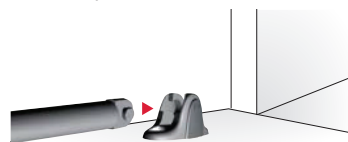


VERY IMPORTANT

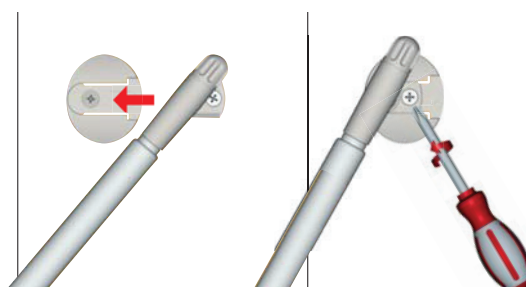
The door bracket has to be placed in vertical position with the slot facing forwards.

INSTALLATION

On the flap door

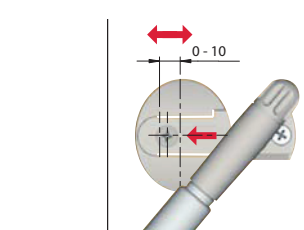


On the inside of the cabinet

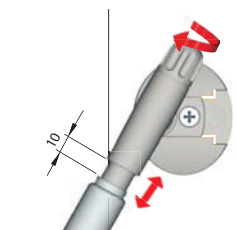


ADJUSTMENTS

Front to back 0 - 10 mm



Open angle 0 - 10 mm



THE
KITCHEN
studio

14/08/15

KRABY LIFT-UP STAY

excluding Hinges - works with our normal concealed hinge

- ▶ New design Opening System. Highest quality: each article individually checked and marked.
- ▶ Available in 4 different lengths 164, 244, 355, 480 mm.
- ▶ Wide range of N strengths, to suit any door dimension and weight.
- ▶ Available in two different types of opening:
 - Automatic: allows the door to open to the fullest.
 - Friction: allows the door to be stopped in any required position.
- ▶ Open angle adjustment carried out by hand through the rotary knob, for nearby doors alignment.
- ▶ Adjustment of the piston base plate within the "U" slot of the side bracket to change door opening and closing.
- ▶ Quick and easy installation, no need to tension the strength.
- ▶ Directly installed on solid or wider aluminium frame doors and wide range of special adapters to suit small aluminium door profiles.
- ▶ All the parts (stay excluded) are in zinc alloy nickel plated and plastic.



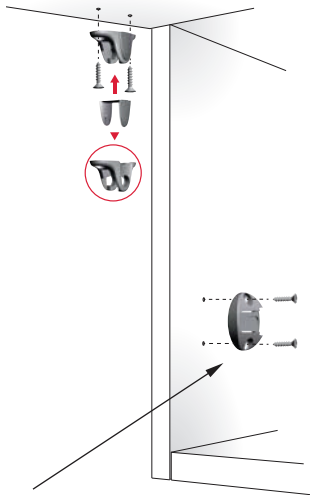
UNIT SIZES	DOOR SIZES	Prices
900w x 361h	896w x 357h X 18	R 267 per door
1200w x 361h	1196w x 357h X 18	R 534 per door
600w x 722h	596w x 718h X 18	R 534 per door
600w x 600h	596w x 596h X 18	R 534 per door



BRACKETS INSTALLATION

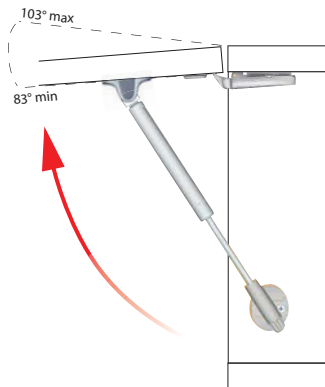


VERY IMPORTANT
The door bracket has to be placed in vertical position with the slot facing forwards.

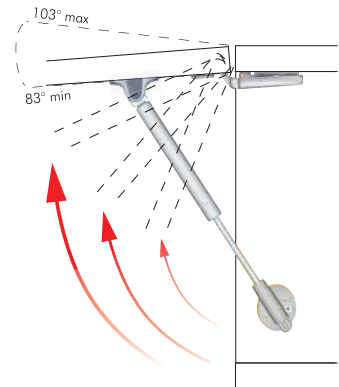


VERY IMPORTANT
The side bracket has to be placed with the slot in horizontal position and the open end facing the wall.

AUTOMATIC SOFT OPENING

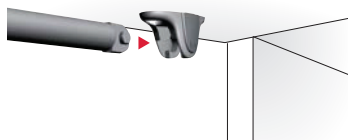


FRICITION OPENING

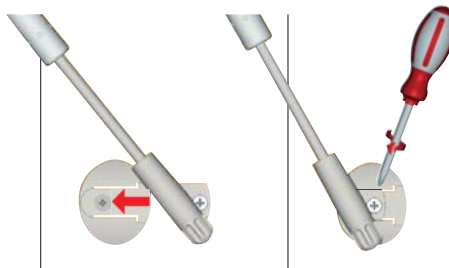


INSTALLATION

On the flap door

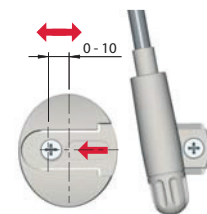


On the inside of the cabinet

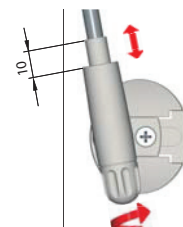


ADJUSTMENTS

Front to back 0 - 10 mm



Open angle 0 - 10 mm

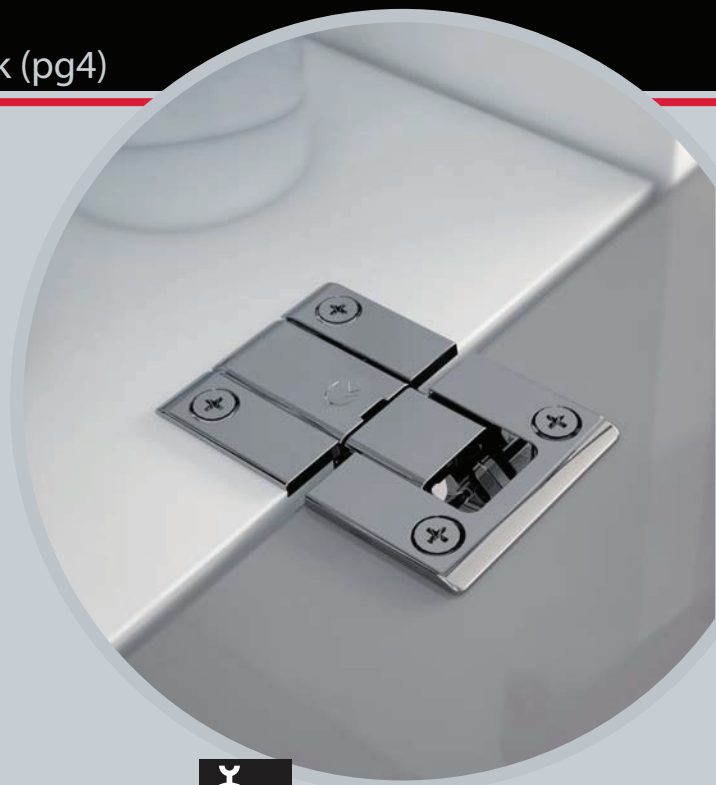


14/08/15

KIMANA Hinges

to be used with Kraby Drop Down (pg1) and Link (pg4)

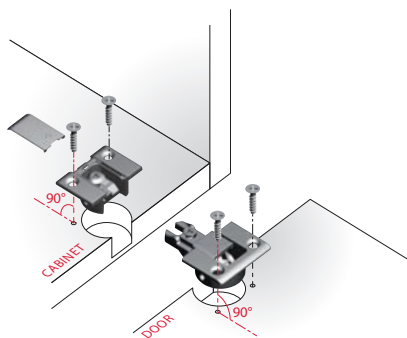
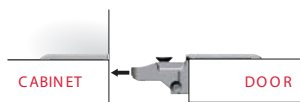
- ▶ Kimana is the new hinge conceived by Italiana Ferramenta to open and close drop-down doors. Provided with a unique and exclusive movement, it allows to open doors even when the bottom lies upon another panel.
- ▶ The small dimensions ($\varnothing 26$ mm boring for both the door and the bottom) and minimalistic and elegant design contribute to make Kimana not only a functional hinge, but also a product unique in its genre.
- ▶ Kimana can be easily adjusted through the screws (PZ2) which are hidden underneath the cover.
- ▶ The fixing screws are perpendicular, thus making Kimana perfectly placed in position and suitable for aluminium profiles.
- ▶ Various door and bottom thickness-combinations can be solutioned as Kimana allows the ideal movement and alignment of the door.
- ▶ Zinc alloy and steel.



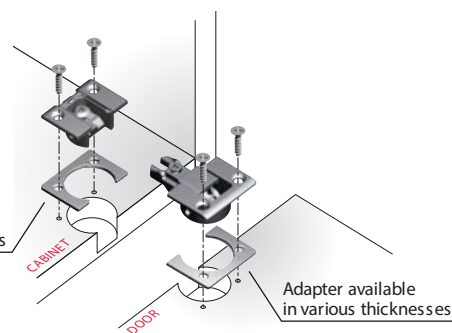
INSTALLATION ON UNIT WITH SOLID DOOR (Application shown for minimum thickness 18 mm)

INSTALLMENT WITH ADAPTER

DOOR INSTALLATION

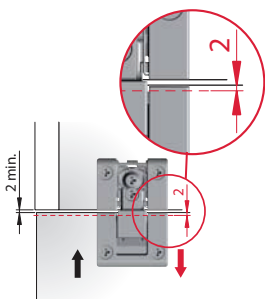


Adapter available in various thicknesses



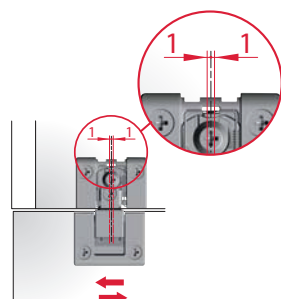
Adapter available in various thicknesses

IN-DEPTH ADJUSTMENT 0+2 mm

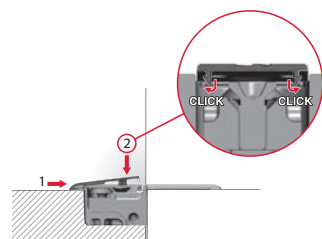


LOCKING SCREW

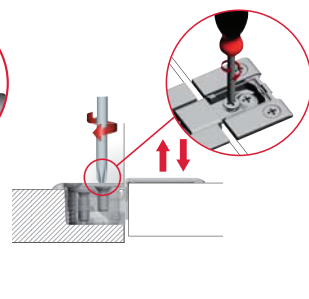
LATERAL ADJUSTMENT 0±1 mm



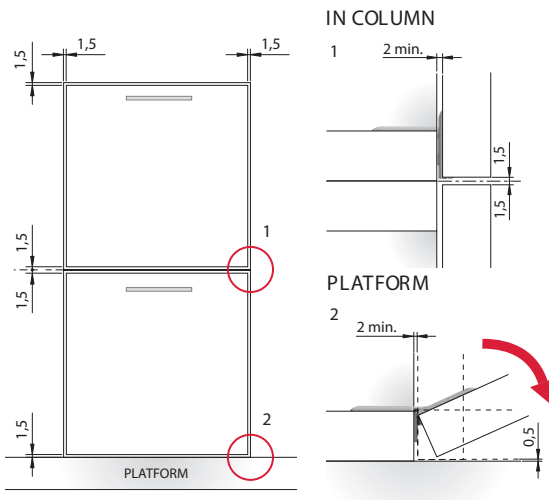
COVER CAP INSERTION



VERTICAL ADJUSTMENT 0+2 mm



CASES WHERE TO USE KIMANA



A 0,5 mm gap between the door and the platform laying underneath doesn't interfere with the opening.

14/08/15

LINK with Kimana Hinges (pg 3)

- ▶ The freshly-designed drop-down opening system conceived by Italiana Ferramenta.
- ▶ Unhanded mechanism for cabinet sides, the only one on the market that guarantees both a smooth opening and a soft closing movement of the door.
- ▶ Installation is carried out through very simple drilling operations that don't require neither mills nor grooves.
- ▶ A complete range suits all the doors weights and dimensions.
- ▶ Suitable for very shallow cabinets with a minimum depth of 200 mm.
- ▶ Very simple installation, once the mechanism is fixed on the side, the metal rope end is pulled out and the small sphere inserted onto the narrow slot of the door bracket. The sphere catches onto the bayonet cavity and is permanently secured in position with the provided cover cap.
- ▶ Open angle adjustment carried out by using a S3 allen wrench, for nearby doors alignment.
- ▶ The zinc alloy nickel plated mechanism cover, as well as the door bracket, can be supplied painted on request.
- ▶ All the parts are in steel, zinc alloy nickel-plated and engineering plastic.



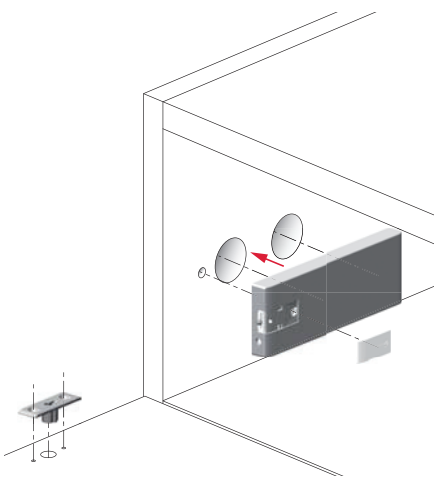
**R 848 per door
for 2 Kimana Hinges
and 1 Link
incl VAT**

UNIT SIZES	DOOR SIZES
900w x 300h	896w x 296h X 18
900w x 361h	896w x 357h X 18

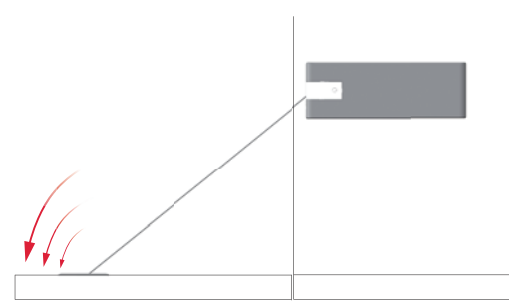
***IDEAL FOR DRINKS CABINET OR GAMING CONSOLES**



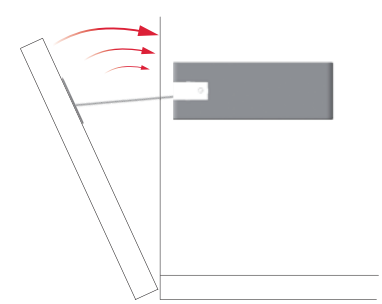
INSTALLATION



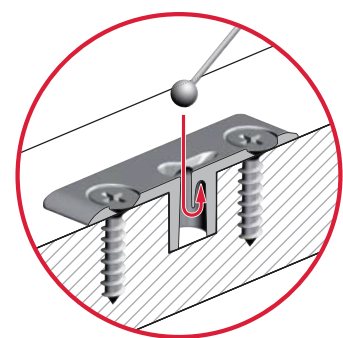
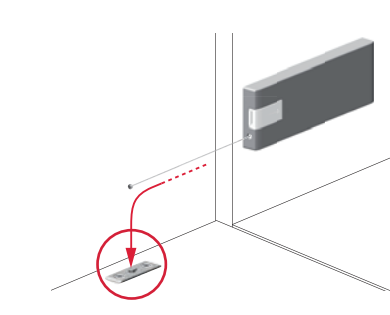
SMOOTH OPENING



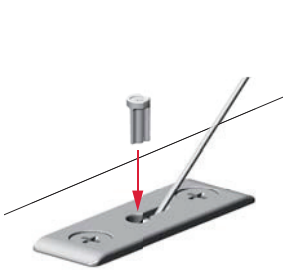
SOFT CLOSING



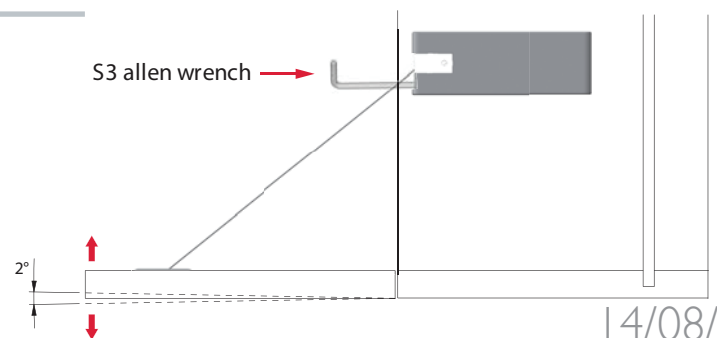
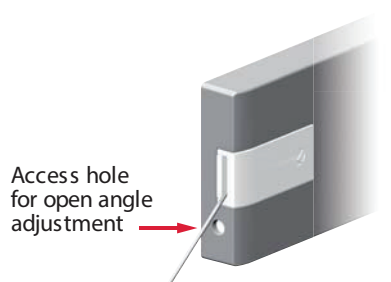
METAL ROPE INSERTION ONTO THE DOOR BRACKET



COVER CAP INSERTION



ADJUSTMENT



K PUSH LONG

with push to open doors

- ▶ New automatic opening system for doors without handles or knobs.
- ▶ Special inner mechanism providing a very silent, yet powerful utilization, granting a long durability.
- ▶ With adapter housing to be installed with countersunk screws.
- ▶ Available in 2 versions:
 - with buffer for cabinets using sprung hinges.
 - with magnet for cabinets using unsprung hinges or negative hinges.
- ▶ Long version available with standard or with extra strong spring.
- ▶ Gap adjustment between carcass and door can be carried out by manually rotating the head.
- ▶ Door plate is available:
 - in $\varnothing 3, 5, 8$ mm
 - screw pin $\varnothing 3,5$ mm
 - self-adhesive $\varnothing 15$ mm
 - for curved door
- ▶ Plastic and steel.
- ▶ In accordance with the Italian Regulations UNI 8607/05 Level 5.



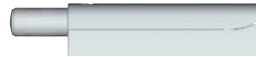
**R 50 each
incl VAT**

***CAN BE USED WITH STANDARD CLIP OR SOFT CLOSE HINGE**
***CAN BE ADDED ON AS AN AFTER SALE OPTION**

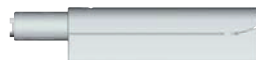


K PUSH THE SHORT
run 13 mm

With buffer



With magnet



K PUSH THE LONG
run 36 mm

With buffer

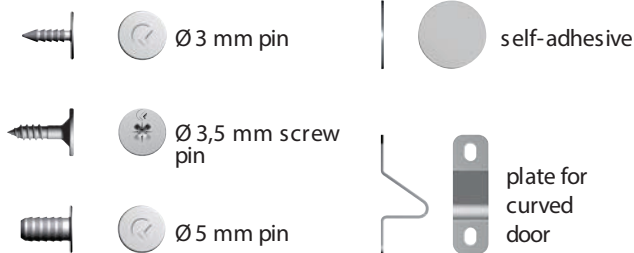


With magnet

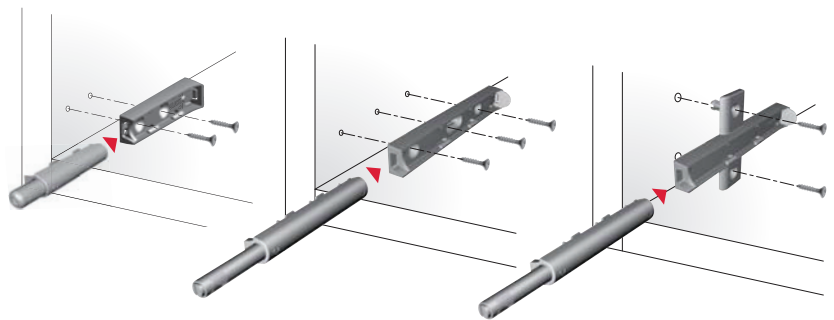


Alternative adapter housing
for K Push the long

K PUSH PLATES

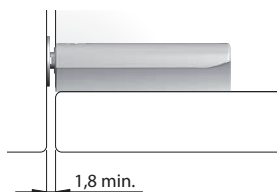


INSTALLATION

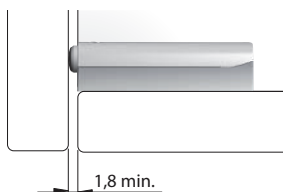


GAP BETWEEN CARCASE AND DOOR

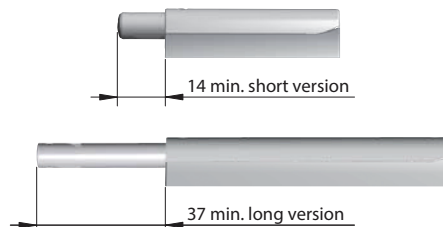
K Push with magnet and plate for cabinet using unsprung hinges or negative hinges.



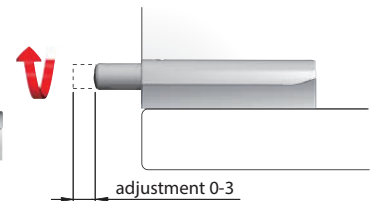
K Push with buffer for cabinet using sprung hinges.



VERSIONS



ADJUSTMENT



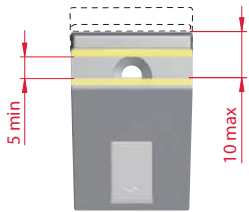
KALABRONE MINI

- ▶ Brand new shelf support for small free-standing glass shelves.
- ▶ Fresh and contemporary design.
- ▶ Suitable for glass shelves from 5 up to 10 mm thick clamped between a soft rubber on both the upper and lower side.
- ▶ Easy alignment of the brackets against the wall.
- ▶ White plastic cover to conceal the housing of the clamping screw.
- ▶ High capacity loading: 6 kilos per piece (approx 12 kilos per pair), for 150 mm shelf depth.
- ▶ Zinc alloy, soft rubber and plastic. Wide range of finishes.



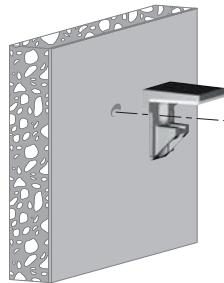
**R 65 each
incl VAT**

***FOR FLOATING GLASS SHELVES - 5 TO 10 mm THICK AND 150 DEEP**

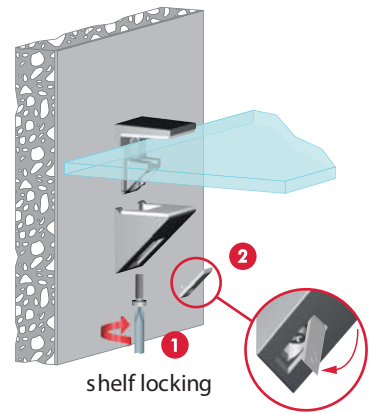


Shelf is clamped between a layer of white soft rubber on both the lower and upper side (coloured parts).

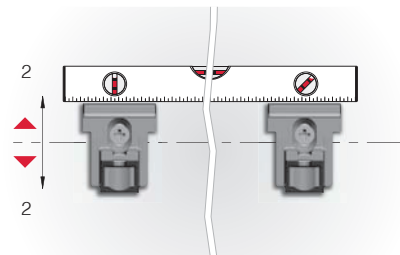
INSTALLATION



KALABRONE MINI 5 - 10 mm THICK

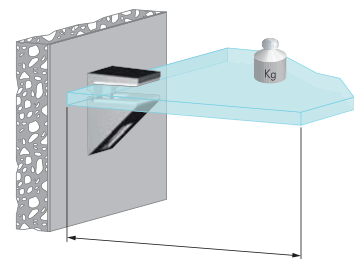
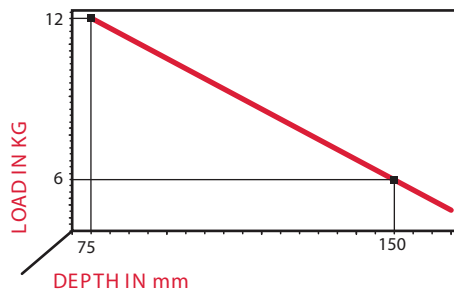


ADJUSTMENT



Bracket alignment

COMBINATION SHELF LOAD AND SHELF DEPTH (The figures refer to one shelf support)



kg + shelf weight = 6 Kg MAX for each shelf support

KALABRONE SYSTEM

- ▶ Decorative and structural shelf support for free-standing shelves.
- ▶ Fresh and contemporary design, ideal for both glass and wood shelves.
- ▶ - KALABRONE for minimum 8 up to 30 mm thick shelves.
- ▶ Recommended for honeycomb/lightweight shelves.
- ▶ Shelf is clamped between a layer of ridged plastic on the lower side and soft rubber on the upper side.
- ▶ Useful method for perfect and permanent alignment of the brackets against the wall.
- ▶ Features the unique and patented front to back angle adjustment to quickly level the shelf with a cross screwdriver when the shelf is already mounted.
- ▶ White plastic cover to conceal the housing of the clamping screw.
- ▶ High capacity loading: 25 kilos per piece (approx. 50 kilos per pair), with 320 mm shelf depth.
- ▶ Zinc alloy, soft rubber and plastic. Wide range of finishes.

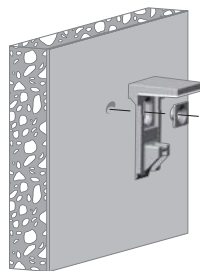


**R 250 per set
incl VAT**

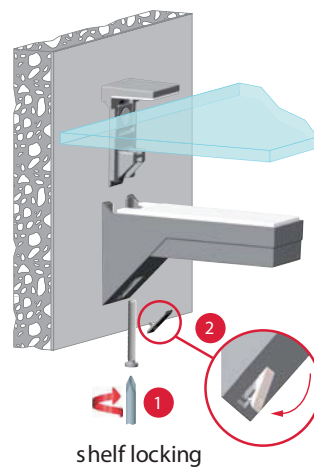
***FOR FLOATING GLASS SHELVES - 8 TO 30 mm THICK AND 320 DEEP**



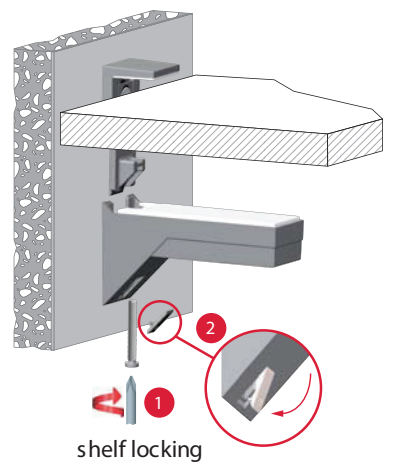
INSTALLATION



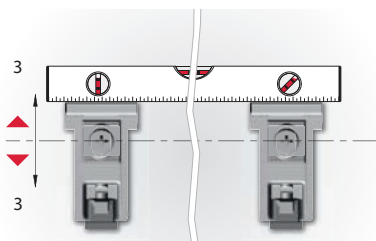
KALABRONE 8 - 30 mm THICK



KALABRONE MAXI 25 - 50 mm THICK



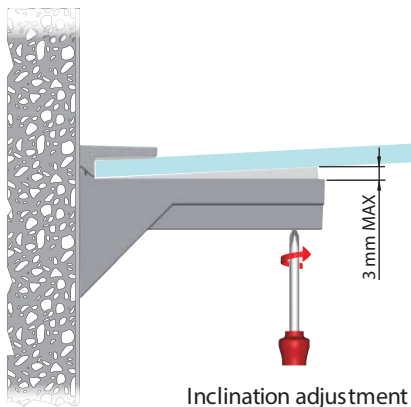
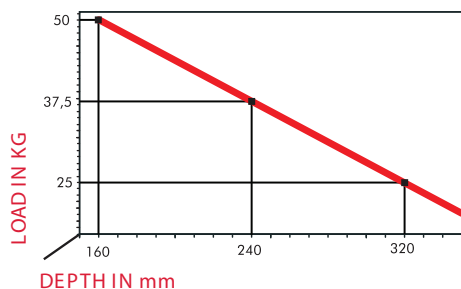
ADJUSTMENT



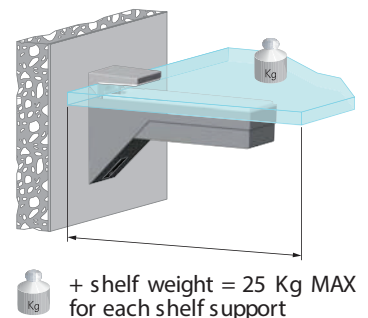
Bracket alignment

Shelf is clamped between a layer of ridged plastic on the lower side and soft rubber on the upper side.

COMBINATION SHELF LOAD AND SHELF DEPTH (the figures refer to one shelf support)

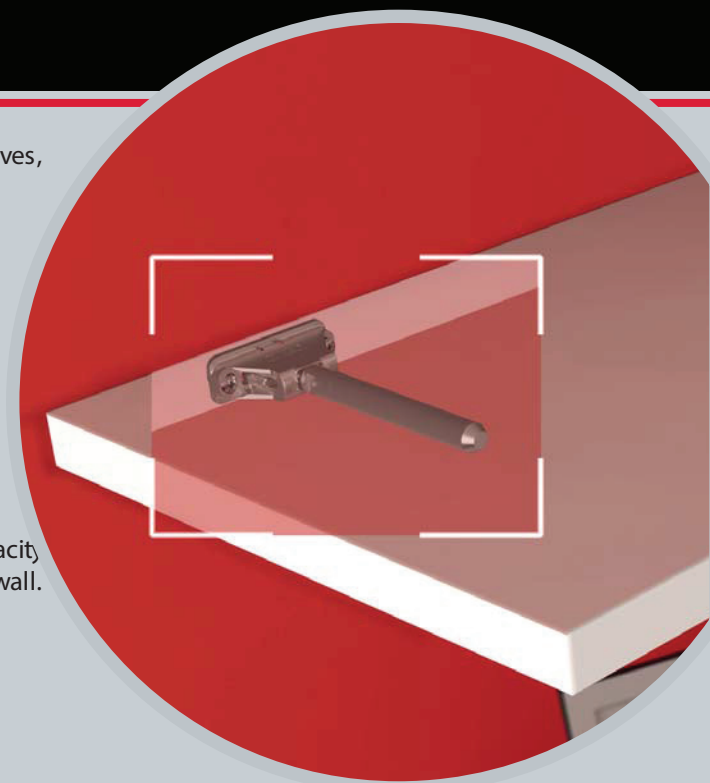


Inclination adjustment



TRIADE SYSTEM

- ▶ Concealed and structural shelf support system for free standing shelves, conceived to simplify the shelf installation.
- ▶ - TRIADE for 25 to 40 mm thickness.
- ▶ Features three independent adjustments:
 - vertical: for perfect alignment of the brackets against the wall.
 - lateral: to compensate drilling leeway and to easily mount the shelf.
 - inclination: to be carried out with an open ended wrench key when the shelf is partially inserted. Shelf angle is adjusted front to back extremely quickly.
- ▶ High Capacity Loading, see related charts.
- ▶ Complement BRACKET for each TRIADE version to enhance the capacity loading and the shelf stability by evenly distributing the shelf load on the wall.
- ▶ Zinc alloy and steel.



***FOR FLOATING SHELVES - 25 TO 40 mm THICK - 300 DEEP**

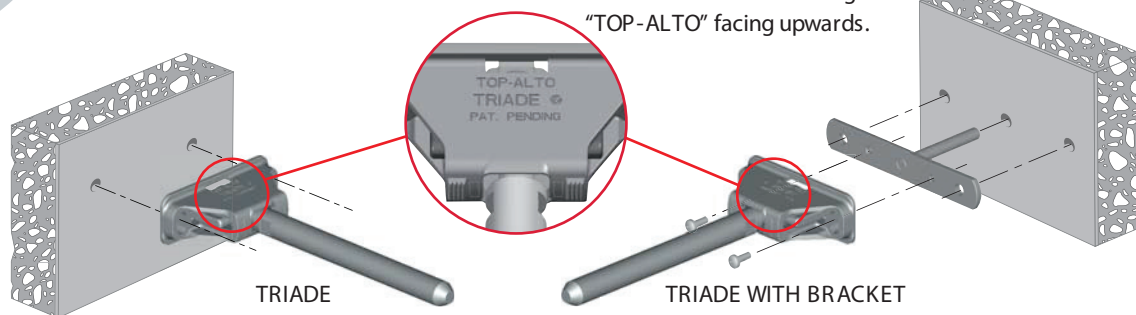


**R 100 each
incl VAT**

INSTALLATION

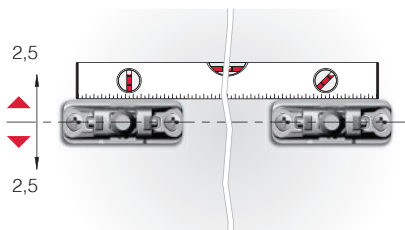
VERY IMPORTANT:

All Triade versions have to be installed with the writing "TOP-ALTO TRIADE" facing upwards.

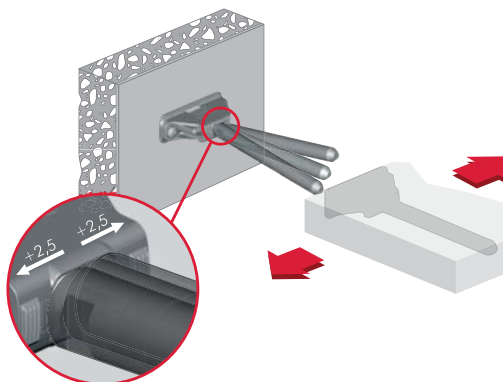


ADJUSTMENTS

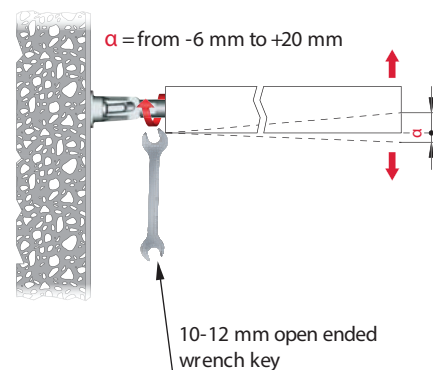
1- Bracket alignment



2- Lateral adjustment



3- Inclination adjustment



LIBRA H7 with wall plate support for floating cupboards with or without drawers

- ▶ Latest development in the cabinet hanger program.
- ▶ Especially conceived for wall-mounted suspended cabinets with heavy loads or particularly deep drawers, ideal for bathroom cabinets and kitchens.
- ▶ Resistant and reliable solution thanks to the sensibly thick zinc alloy body.
- ▶ LIBRA H7 Dowel Fixing is the left/right cabinet hanger with 4 dowels to be fixed on the cabinet side through 3 wood screws.
- ▶ Absolutely no mills nor grooves required on the side panels.
- ▶ Slim side bracket wings which don't interfere with the slides for drawers.
- ▶ Independent Vertical and In-Depth adjustment to easily and quickly align the cabinet against the wall.
- ▶ ANTI-TURN OVER device for domestic safety to guarantee fast locking of the cabinet against the wall plate.
- ▶ Adjustments to be carried out from the inside of the cabinet.
- ▶ Very thick and hardened new wall plate concept, with optimized position of the fixing oval holes, to facilitate correct positioning and to reduce loading stress either on the wall plates or on the plugs.
- ▶ Possibility to add an aluminium bar H. 40,2 mm or H. 80,5 mm with pilot holes to ease the drilling operations on the wall. Extra hanging points are provided, thus reducing the loading stress either on the left/right wall plates or on the plugs.
- ▶ Steel, zinc alloy and aluminium, according to related version.



**R 414 per cupboard
incl VAT**

***MAXIMUM : 450 DEEP**

***MAXIMUM : 1000 WIDE**

***NO HIEGHT RESTRICTION**



ALUMINIUM BAR H. 40,2 mm



ALUMINIUM BAR H. 80,5 mm



APPLICATION TO THE SUSPENDED BASE CABINET

